

Printer Hard Disk Type 4510

(Code: G065)

For Machine Code: G065

INSTALLATION GUIDE

Preparation

For a safe operation, read "*Safety Information*" in the Setup Guide.

CAUTION:

- *Do not touch the inside of the printer board compartment. It may cause a machine malfunction or a burn.*

Important

- Check the printer nameplate to confirm the model code.
- The Printer Hard Disk can be damaged by a small amount of static electricity. You should touch some metal to discharge static electricity.
- When the bidirectional transmission is not in operation, you must set up the installed hard disk drive using the printer driver in order to use it. See the Setup Guide for setting up options. See the Setup Guide for information about bidirectional transmission.
- When the Printer Hard Disk is being accessed, the Data In indicator blinks. Do not turn off the printer power when the Data In indicator is blinking as it may destroy the hard disk.

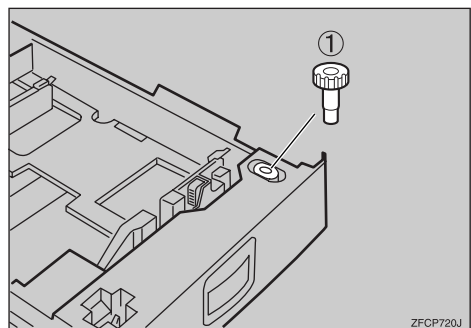
- When a print job is being spooled, the printer sends data to the hard disk, and the Data In indicator blinks. Do not turn off the printer or computer while a print job is being spooled, as it may destroy the hard disk or the spooled job will remain in the hard disk and be printed repeatedly until erased.

1 Check the contents of the box for the following items:

- Printer Hard Disk
- Installation Guide
- Power Cord
- Connector

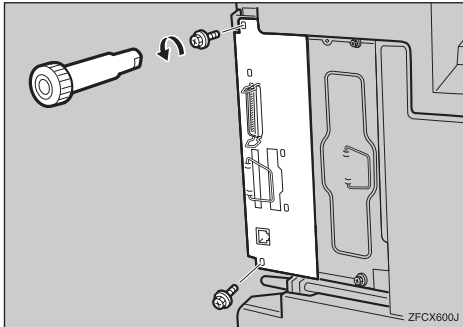
2 Turn off the printer.

3 Pull out the first paper tray (Tray 1) and take the screwdriver (①) from the tray. Each screw to be removed requires this screwdriver.

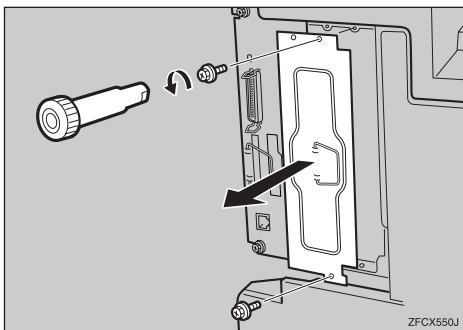


4 Remove the two screws locking the printer board.

The screws are needed to lock the printer board afterwards.

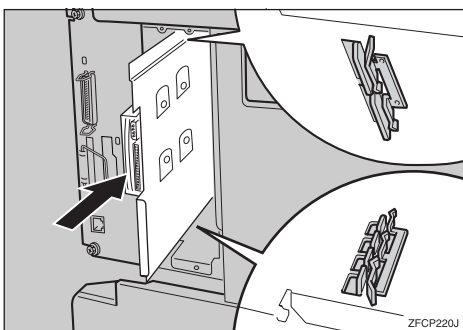


5 Remove the two screws locking the hard disk drive cover next to the printer board.

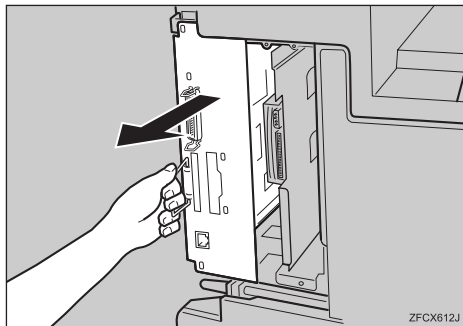


The screws are needed to lock the cover afterwards.

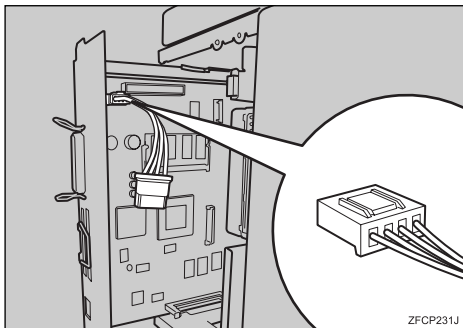
6 Align the Printer Hard Disk with the top and bottom rails, and then insert the Printer Hard Disk slowly until it stops.



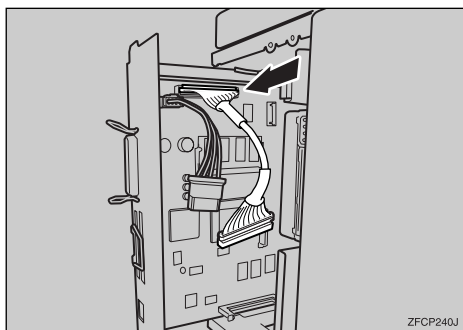
7 Hold the handle, and carefully pull out the printer board half-way.



8 Connect the bigger plug of the power cord to the printer board.



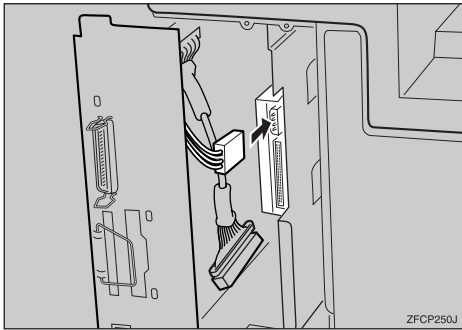
9 Connect the connector to the printer board.



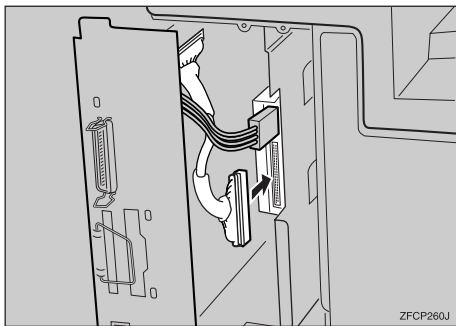
Note

- Connect either side of the connector.

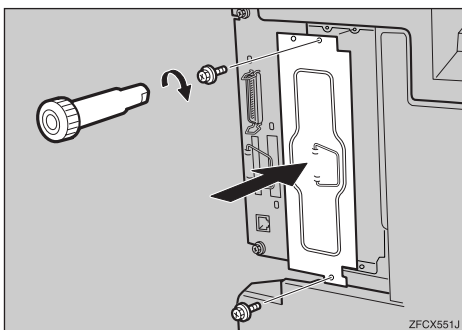
- 10** Connect the power cord to the Printer Hard Disk.



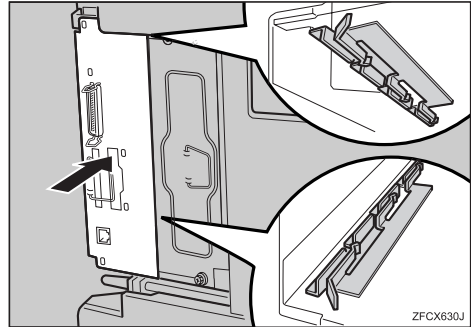
- 11** Connect the connector to the Printer Hard Disk.



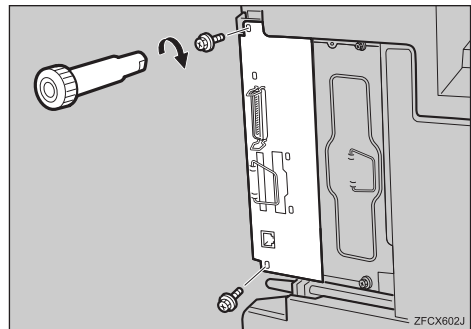
- 12** Lock the Printer Hard Disk cover with the two screws you removed in step 4.



- 13** Align the printer board with the top and bottom rails in the printer, and then insert the printer board slowly until it stops.



- 14** Lock the printer board with the two screws you removed in step 4.



Note

- Be sure to return the screwdriver to the paper tray after using it.

The Printer Hard Disk will be formatted automatically when the power is turned on.

Note

- Print a configuration page to confirm that the Printer Hard Disk is properly installed. See "Printing a Configuration Page" in the Printer Reference on the CD-ROM labeled "Operating Instructions".

Formatting Printer Hard Disk Type 4510

If you are formatting the Printer Hard Disk from the menu, follow the procedures below while using the control panel.

1 Press **[Menu]**.

"Menu" appears on the panel display.

2 Press **[▲]** or **[▼]** to display the "Maintenance" menu.

```
Menu:
Maintenance
```

3 Press **[Enter #]**.

The following message appears on the panel display.

```
Menu:
Image Density
```

4 Press **[▲]** or **[▼]** to display "HDD Format".

```
Menu:
HDD Format
```

 **Note**

- If "HDD Format" is not displayed, the Printer Hard Disk is not installed properly. In such a case, reinstall from step **2**.

5 Press **[Enter #]**.

The following message appears on the panel display.

```
HDD Format:
Press# To Start
```

6 Press **[Enter #]**.

 **Important**

- Do not turn off the printer while formatting the Printer Hard Disk. Turning off the printer while formatting the Printer Hard Disk can damage the Printer Hard Disk.

If you successfully format the Printer Hard Disk, the following message appears on the panel display.

```
Format Completed
Restart Printer
```

 **Note**

- If you fail, see "Troubleshooting" in the Printer Reference, on the CD-ROM labeled "Operating Instructions".

7 Turn off the power switch, and then back on.